

After Sales Technical Documentation

NHE-6/NHK-6 NON-SERVICEABLE ACCESSORIES

NHE-6/NHK-6 NON-SERVICEABLE ACCESSORIES

Contents

List of Non-Serviceable Accessories	Page 5
Battery Pack BLJ-2	Page 5
Product Code	Page 5
Specification	Page 5
View of Battery Pack	Page 5
Battery Pack BLJ-5	Page 6
Product Codes	Page 6
Specification	Page 6
View of Battery Pack	Page 6
Fast & Light Charger ACH-6	Page 7
Product Codes	Page 7
Specification	Page 7
View of Fast & Light Chargers	Page 8
Light Desktop Stand CGH-5	Page 9
Product Code	Page 9
Specification	Page 9
View of Light Desktop Stand	Page 9
Desktop Stand CGH-6	Page 10
Product Code	Page 10
Specification	Page 10
View of Desktop Stand	Page 10
Mobile Holder MBT-5	Page 11
Product Code	Page 11
Specification	Page 11
View of Mobile Holder	Page 11
Mounting Plate MKE-7	Page 12
Product Code	Page 12
Specification	Page 12
View of Mounting Plate	Page 12
Swivel Mounting Plate HHS-7	Page 13
Product Code	Page 13
Specification	Page 13
View of Swivel Mounting Plate	Page 13
Universal Mobile Charger LCH-6	Page 14
Product Code	Page 14
Specification	Page 14
View of Universal Mobile Charger	Page 15

Technical Documentation

Fixed Mobile Charger LCM-1	Page 16
Product Code	Page 16
Specification	Page 16
View of Fixed Mobile Charger	Page 16
Power Cable PCM-5	Page 17
Product Code	Page 17
Specification	Page 17
View of Power Cable	Page 17
Headset HDC-2	Page 18
Product Code	Page 18
Specification	Page 18
View of Headset	Page 19
Headset Adapter HDA-4	Page 20
Product Code	Page 20
Specification	Page 20
View of Headset Adapter	Page 20
Handsfree Microphone HFM-7	Page 21
Product Code	Page 21
Specification	Page 21
View of Handsfree Microphone	Page 21
External Antenna Unit AAH-1	Page 22
Product Code	Page 22
Specification	Page 22
View of Antenna Unit	Page 22

List of Non-Serviceable Accessories

Battery Pack BLJ-2

The BLJ-2 is a Li-ion light battery back to provide an acceptable level of performance in a package (ie including phone) weighing 151 g.

Product Code

Battery pack BLJ-2:

0670129

Specification

Dimensions (h x w x d):

92 x 44 x 12 mm

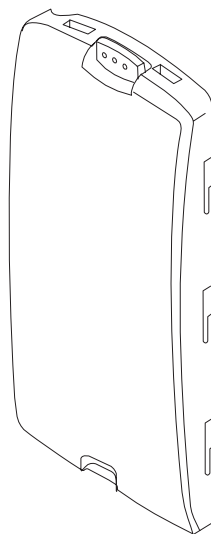
Weight:

47 g

Capacity:

400 mAh

View of Battery Pack



Battery Pack BLJ-5

The BLJ-5 Li-ion extended battery pack provides the best compromise between weight and performance for the average user. An extended package (i.e. including phone) weighs 181 g.

Product Codes

Battery pack BLJ-5 : *0670127*

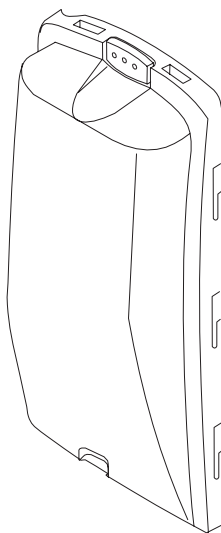
Specification

Dimensions (h x w x d): *92 x 44 x 22 mm*

Weight: *76 g*

Capacity: *900 mAh*

View of Battery Pack



Fast & Light Charger ACH-6

Extremely light, functionally designed fast & light charger charges your phone battery quickly.

Plug the charger into a wall outlet and connect the connector to the bottom of your phone. When not using the charger, you can wrap the cord around it and attach the loose end to the slot on top.

The charging time is approximately 45 minutes for the 470 mAh battery. Check the charging status on the phone display. You can use your phone also while charging.

Operating within voltage range 90 V...250 V AC (50 Hz...60 Hz), fast & light charger is practically current independent in normal office and household use. Like standard charger, fast & light charger is compatible with all battery options and is available with different wall plugs.

The fast & light charger can also be used with basic stand and desktop stand.

Product Codes

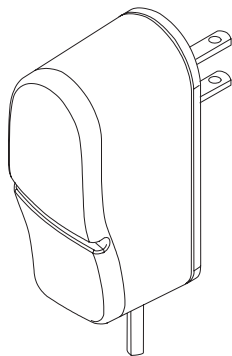
Fast & light charger ACH-6U (USA plug):	0675085
Fast & light charger ACH-6E (Euro plug):	0675084
Fast & light charger ACH-6X (UK plug):	0675087
Fast & light charger ACH-6A (Austr. plug):	0675086
Output cable PCC-1 (supplied with ACH-6):	0730076

Specification

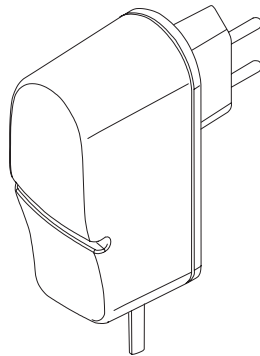
Dimensions (h x w x d):	75 x 29 x 42 mm (without plug)
Weight:	< 150 g
Output cable length:	1950 mm
Mains plug type:	see picture
Output connectors:	3.0 mm standard d.c. plug
Protection:	output current limiting, max. 870 mA output voltage limiting, max. 11 V (unloaded)
Input voltage:	90 to 250 V

View of Fast & Light Chargers

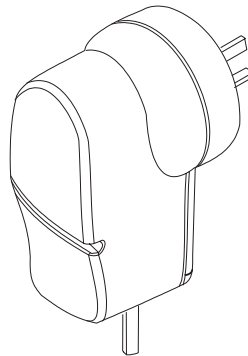
ACH-6U



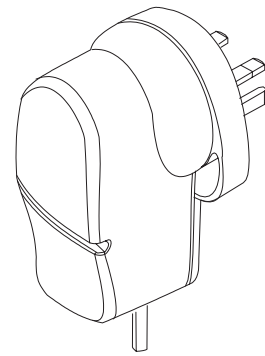
ACH-6E



ACH-6X



ACH-6A



S0001161

Light Desktop Stand CGH-5

This charging stand is an economical choice for users who wish to have their phone close at hand, always ready for calls.

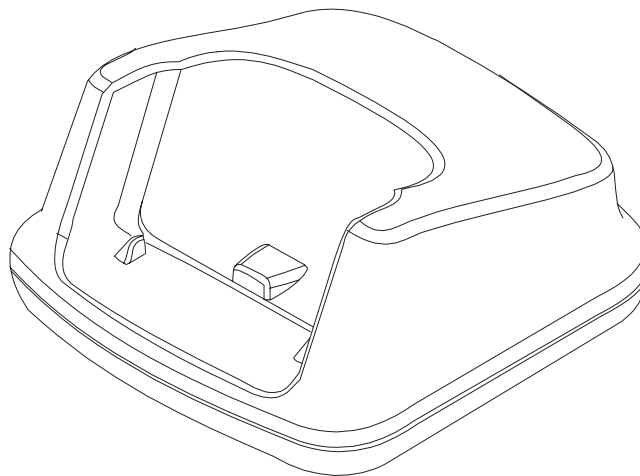
Product Code

Basic stand CGH-5: *0700036*

Specification

Dimensions (h x w x d):	<i>42 x 75 x 80 mm</i>
Weight:	<i>38 g</i>
Connections:	<i>3.0 mm d.c. jack</i>
Charge control:	<i>none</i>
Maximum input voltage:	<i>16 V</i>
Maximum input current:	<i>820 mA / 10.8 V</i>
Protection:	<i>no damage if short circuit in output</i>

View of Light Desktop Stand



Desktop Stand CGH-6

The desktop stand provides mounting place for both the phone and a spare battery.

Charging order is the phone battery first, and then the spare battery. Check the charging status of the phone battery on the phone display.

Compatible with all battery options, the desktop stand is used together with the standard charger or fast & light charger. Charging times for the 470 mAh battery are approximately 45 min or 2 h 30, respectively.

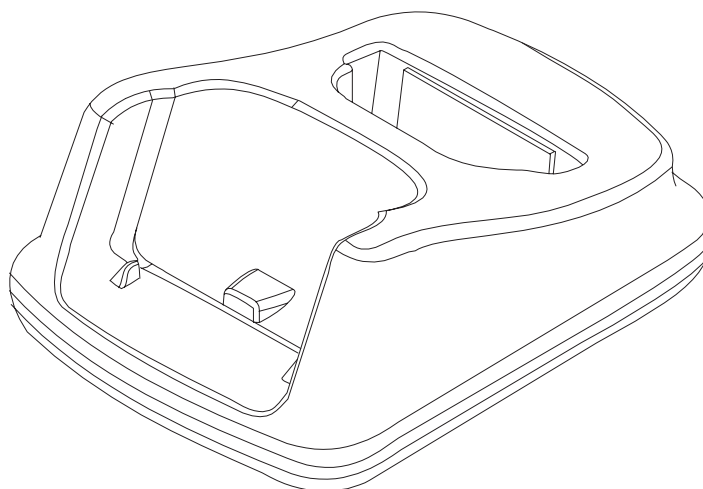
Product Code

Desktop stand CGH-6: *0675080*

Specification

Dimensions (h x w x d):	<i>42 x 75 x 100 mm</i>
Weight:	<i>70 g</i>
Connections:	<i>3.0 mm d.c. jack</i>
Charge control:	<i>cell voltage (peak or negative change), time control, cell temperature</i>
Operation input voltage:	<i>9...16 V</i>
Max. input current:	<i>780 mA</i>
Discharge current:	<i>330 mA</i>
Discharge end voltage:	<i>4 V</i>
Protection:	<i>no damage if short circuit in output</i>

View of Desktop Stand



Mobile Holder MBT-5

Designed to fit and complement your car's interiors, phone holder holds your phone firmly in place by its three-point hold and stiff structure.

The mobile holder is attached to the vehicle's interior using mounting plate, MKE-7 or alternatively swivel mounting plates, HHS-6 or HHS-7.

Product Code

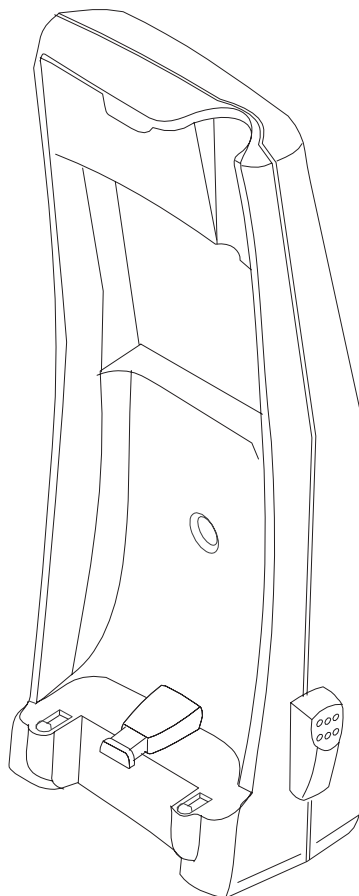
Mobile holder MBT-5: *0620030*

Specification

Dimensions (h x w x d): *121 x 60 x 45 mm*

Weight: *70 g*

View of Mobile Holder



Mounting Plate MKE-7

The MKE-7 mounting plate provides a method of fixing the phone holder, the compact handsfree unit or the handset to the vehicle interior.

Product Code

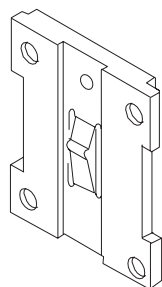
Mounting plate MKE-7: *0650021*

Specification

Dimensions (h x w x d): *7.3 x 45 x 48 mm*

Weight: *8 g*

View of Mounting Plate



G0650021

Swivel Mounting Plate HHS-7

The HHS-7 swivel mounting plate provides an alternative (to MKE-7) method of locating the phone holder, the basic handsfree unit or the handset.

Product Code

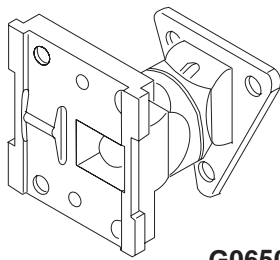
Swivel mounting plate HHS-7: *0650020*

Specification

Dimensions (h x w x d): *20 x 44 x 48 mm*

Weight: *30 g*

View of Swivel Mounting Plate



G0650020

Universal Mobile Charger LCH-6

The universal mobile charger ensures your phone is always ready for use wherever you travel. This small charger's functional design fits well to most car lighters and interiors.

The charging time for the 470 mAh battery is about 45 minutes, and you can use your phone freely during charging.

A green light indicates that the cigarette lighter charger is ready for charging. Check the charging status on the phone display. The input voltage can be 12 or 24 V d.c., negative grounding.

Universal mobile charger can be used with all car accessories provided for your phone.

Avoid prolonged charging with universal mobile charger when the car engine is not running; this may cause the battery of your car to drain. Note also that in some cars the cigarette lighter plug is not provided with electricity if the ignition is switched off. Verify that the green led light is lit.

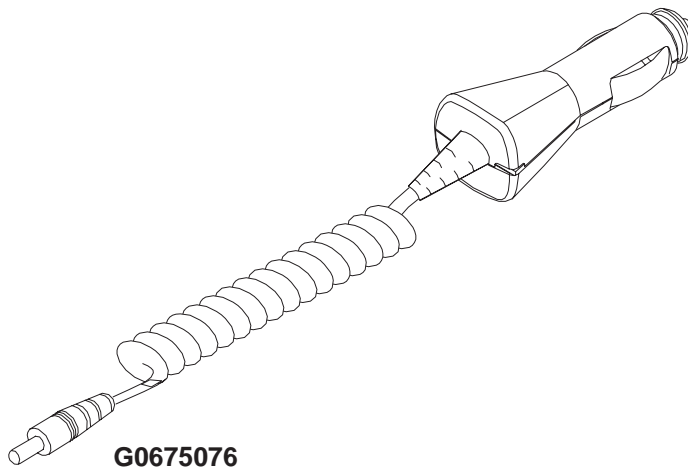
Product Code

Universal mobile charger LCH-6: *0675076*

Specification

Dimensions (h x w x d):	<i>29 x 35 x 84 mm</i>
Weight:	<i>< 70 g</i>
Cable length:	<i>465 mm curly cable</i>
Connectors	
• input:	<i>D 21/23 mm</i>
• output:	<i>3.0 mm standard d.c. plug</i>
Protection:	<i>input fused, output current limit</i>
Voltage	
• input:	<i>11.3...35 V</i>
• output (nominal):	<i>10.3 V</i>
Nominal output current:	<i>780 mA</i>
Charging into empty battery:	<i>>= 300 mA</i>

View of Universal Mobile Charger



Fixed Mobile Charger LCM-1

The fixed mobile charger powers your phone from the car battery when the ignition is switched on and leaves the cigarette lighter vacant.

You can use the fixed mobile charger in any vehicle with a 12 or 24 V d.c. connection, negative grounding.

The charging time for the 470 mAh battery is only about 45 minutes.

Fixed mobile charger housing has a four pin connector for power cable, and on the opposite end a connector for the output cable, which connects the fixed mobile charger directly to the d.c. connector of your phone or to the basic hands-free unit.

Product Code

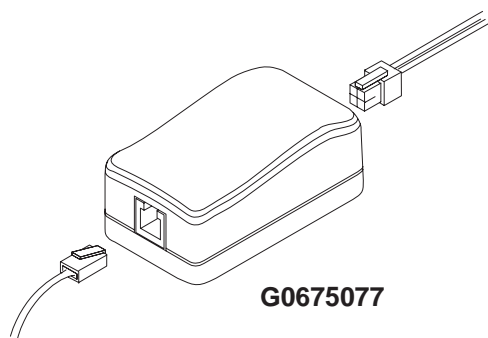
Fixed mobile charger LCM-1: *0675077*

Output cable PCC-1 (supplied with LCM-1): *0730076*

Specification

Dimensions (h x w x d):	<i>27 x 36 x 65 mm</i>
Weight:	<i>< 70 g</i>
Output cable length:	<i>1950 mm</i>
Protection:	<i>input fused, output current limit</i>
Voltage	
• input:	<i>11.3...32 V</i>
• output (nominal):	<i>10.3 V</i>
Output current nominal:	<i>780 mA</i>
Charging into empty battery:	<i>>= 300 mA</i>

View of Fixed Mobile Charger



Power Cable PCM-5

The power cable connects the fixed mobile charger, LCM-1, to the vehicle's power supply. The red wire must be connected to the + voltage supply controlled by the vehicle's ignition key via the supplied fused connector. The black wire must be attached to a good negative GND connection.

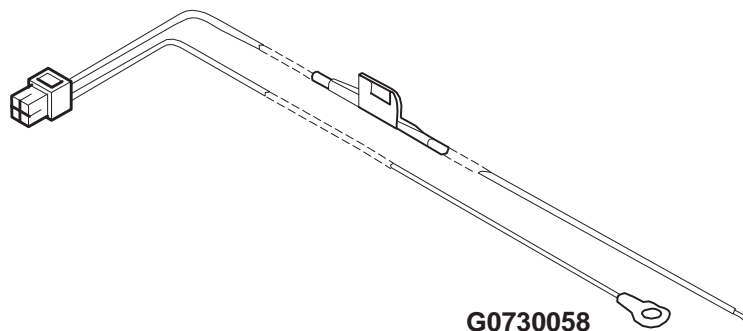
Product Code

Power cable PCM-5: *0730058*

Specification

Weight:	<i>74 ± 5 g</i>
Cable length	
• red wire:	<i>2500 ± 100 mm</i>
• black wire:	<i>2000 ± 50 mm</i>
Max current via contacts:	<i>1 A</i>

View of Power Cable



Headset HDC-2

Compact and functional, headset kit HDXK-7 (headset adapter HDA-3 and headset HDC-2) provides you with a convenient handsfree facility which you can use anywhere.

Connect headset adapter HDA-3 to the bottom of your phone, and plug the headset HDC-2 to the adapter.

In car use, you can connect the headset directly to the basic handsfree unit. (The headset adapter is not required under this configuration.) When used with external antenna adapter, this combination provides you with handsfree operation, privacy and optimum reception quality. When the headset is connected, the HF loudspeaker and microphone are disabled.

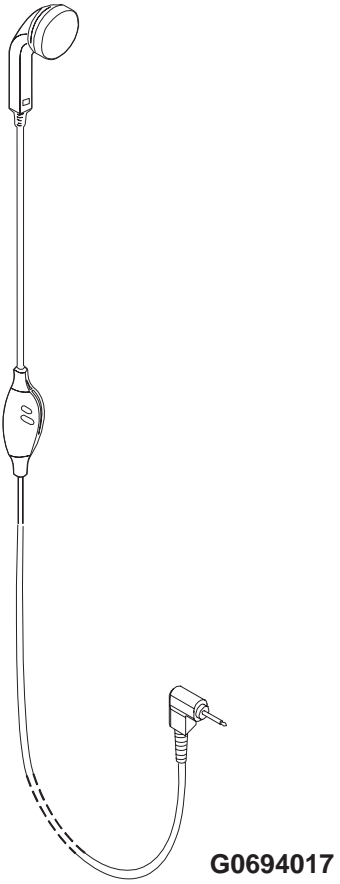
Product Code

Headset HDC-2: *0694017*

Specification

Cord length :	<i>1500 ±50 mm</i>
Weight:	<i>13 g</i>
Microphone sensitivity:	<i>-46.5 ±5 dB (0 dB = 1 V/Pa at 1 kHz)</i>
Microphone directionality:	<i>Omni-directional</i>
Microphone supply voltage:	<i>5 V</i>
Earphone rated/max input:	<i>1 mW/5 mW</i>
Earphone sound pressure:	<i>106 ±5 dB (at 1 kHz, 1 mW)</i>
Impedance	
• microphone:	<i>max 2.2 kΩ at 1 kHz</i>
• earphone:	<i>32 ±7 Ω</i>

View of Headset



Headset Adapter HDA-4

The headset adapter provides connections between the headset, power supply and the phone. The adapter plugs into the base of the phone.

Note: When using the headset adapter, connect your charger to the adapter if you need to charge your phone.

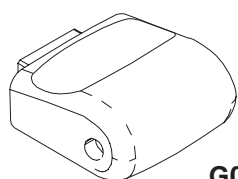
Product Code

Headset adapter HDA-4: *0694042*

Specification

Dimensions (h x w x d):	<i>28 x 29 x 13.3 mm</i>
Weight:	<i>10 g</i>
Gain	
• microphone:	<i>33.5 dB</i>
• earphone:	<i>0 dB</i>
Sound pressure	
• microphone:	<i>-16...+3 dBPa (0 dBPa = 94 dB spl)</i>
• earphone:	<i>0 dBPa...+23 dBPa</i>
Level at headset connector:	
• microphone:	<i>1.3...11.6 mV</i>
• earphone:	<i>16...220 mV</i>

View of Headset Adapter



G0694029

Handsfree Microphone HFM-7

The HFM-7 microphone forms part of compact handsfree unit.

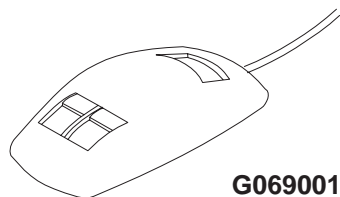
Product Code

Handsfree microphone HFM-7: *0690012*

Specification

Dimensions (h x w x d):	<i>16 x 24 x 43 mm</i>
Cable length:	<i>3.0 m</i>
Holders:	<i>double sided tape and screws</i>
Connector:	<i>2.5 mm plug, angle type</i>
Sensitivity curve:	<i>hypercardioid</i>
Bias supply voltage:	<i>1.5...8 V</i>
Bias supply current:	<i>100...500 μA</i>
Acoustical operating range (THD<1 %):	<i>35...110 dB SPL (-56...+16 dBa)</i>
Sensitivity:	<i>-41\pm4 dBV/Pa at 1 kHz, front signal (measured with mic assembled on hard plate, 30 x 30 cm)</i>
Noise (IHF-A weighting):	<i><9 μV</i>

View of Handsfree Microphone



External Antenna Unit AAH-1

The external antenna unit allows an external antenna to be capacitively coupled to the phone's antenna when the phone is located in the mobile holder. The external antenna adapter is fastened to the top of the holder with two screws.

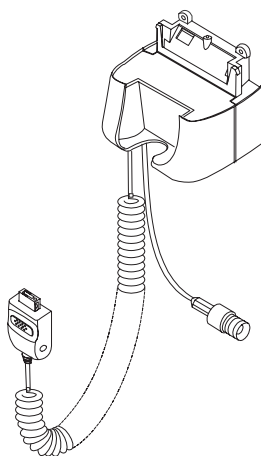
Product Code

External antenna adapter AAH-1: *0750077*

Specification

Dimensions (h x w x d):	<i>49 x 60 x 45</i>
Weight:	<i>170 g</i>
Connection:	<i>Mini UHF/50 Ω</i>
Cable length:	<i>750 mm coaxial cable</i>
Insertion loss:	<i>< 4 dB</i>

View of Antenna Unit



This page intentionally left blank.

This page intentionally left blank.